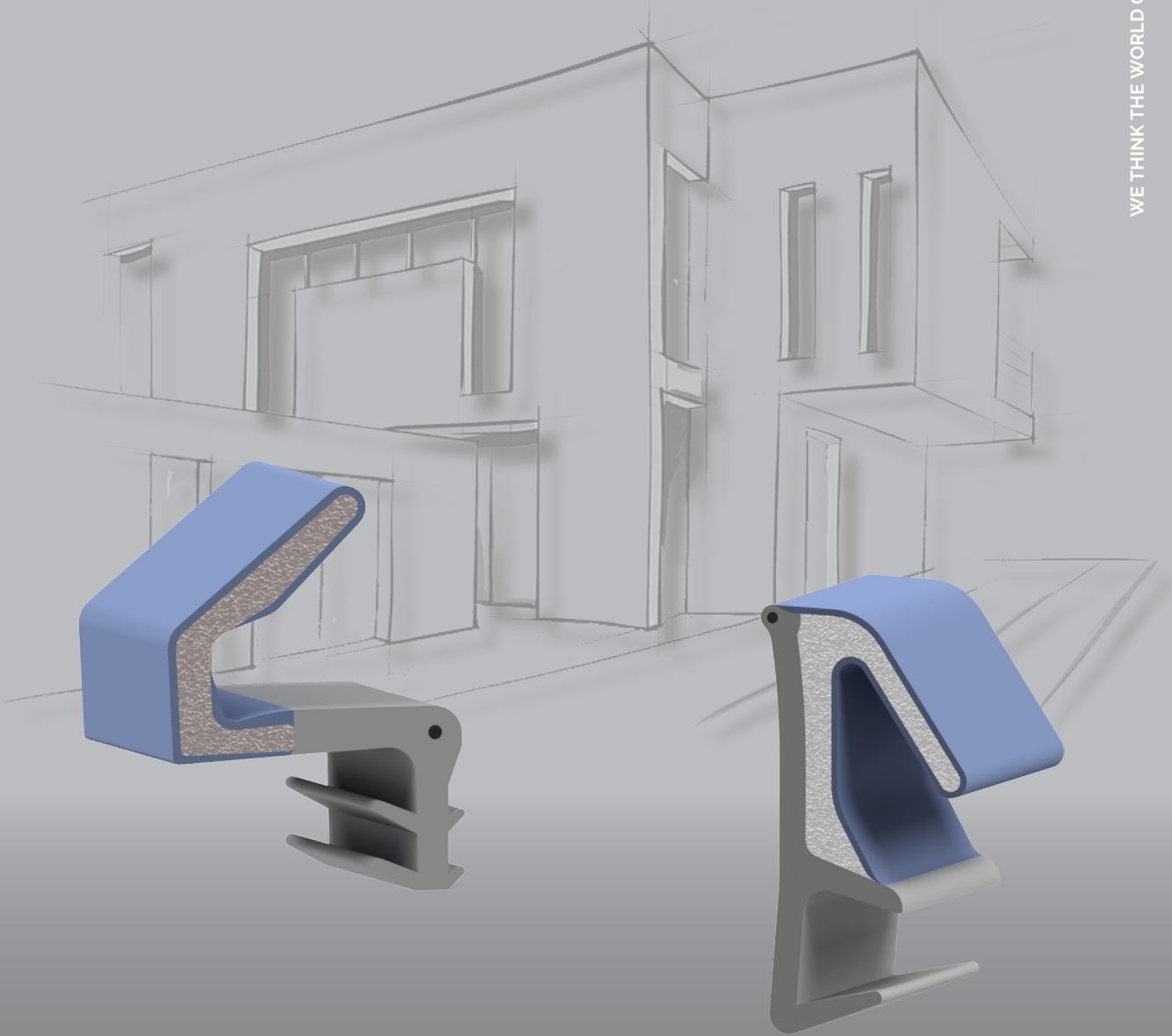




WE THINK THE WORLD OF PLASTICS



PRIMO 

ECO SOFTLINE

INNOVATIVE GASKETS
THE BEST FOR WINDOWS AND DOORS



WE THINK THE WORLD OF PLASTICS



„WE CAN SEAL IT“ IS THE COMPANY PHILOSOPHY OF PRIMO PROFILE GMBH, A SPECIALIST IN MADE-TO-MEASURE SEALING SOLUTIONS FOR WINDOWS AND DOORS.

WE HAVE BEEN MANUFACTURING INNOVATIVE PROFILES FOR OVER 60 YEARS AND THUS RIGHTLY CONSIDER OURSELVES TO BE ONE OF THE KEY PLAYERS IN THE FIELD OF THERMO-PLASTIC SEAL PROFILES.



SETTING THE SEAL ON YOUR CONSTRUCTION PROJECT

PRIMO ECO SOFTLINE: INNOVATIVE GASKETS FOR WINDOWS AND DOORS

Primo is one of the leading manufacturers in the development and manufacture of sealing profiles for windows and doors. Our product development is supported by our in-house tool manufacturing and extrusion. All our efforts are directed towards perfecting our standards to meet our customers' requirements.

Window and door gaskets are largely responsible for ensuring component functionality. We continually improve the quality of the gaskets to meet the high demands in terms of form and function, as well as a longer service life. Hardened or heavily deformed window and door gaskets have long since been a thing of the past. This is a result of new manufacturing methods and improved designs.

A major ecological advantage of plastics is their 100% recyclability. Primo specifically processes parts from recycled material in its profile systems. In this way, old gaskets become a valuable raw material once more and can be used to produce new profiles without any loss of quality.



TPV - ANTI-FRICTION COATING

Anti-friction coating ensures that the gasket has a comfortable closing pressure. Windows or doors can be closed very easily.

TPE-S - FOAM

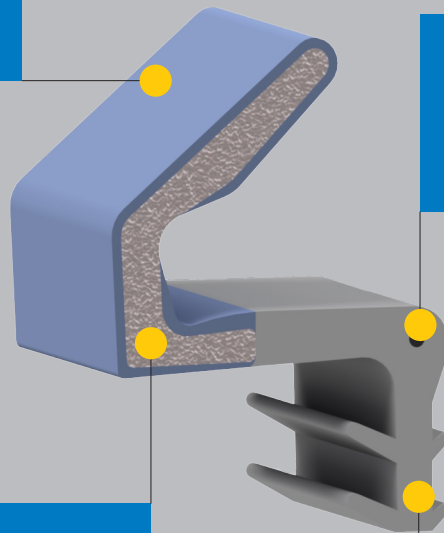
The foam material ensures that the gasket has a comfortable, soft closing pressure. The material also offers excellent resilience. This also allows a high tolerance compensation to be achieved.

INTEGRATED THREAD

This ensures that the gasket cannot overstretch, for example with a mechanical feed. We thereby achieve a stable corner connection for latched gaskets and can achieve optimal sealing and insulation levels.

TPE - RIGID PROFILE

The profile foot ensures that the gasket can be easily installed. At the same time, the rigid material prevents major deformation, which ensures the profile provides excellent stability.



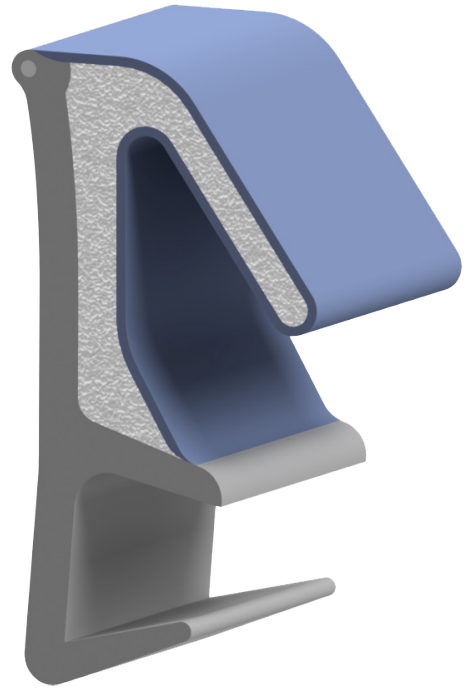
NEW TPE GASKETS

The main reason for faulty window gaskets are the daily stresses and years of constantly changing temperatures. The resulting signs of wear are often the reason for leaky windows and doors.

The result is unpleasant and unhealthy drafts and ever increasing energy costs.

This is exactly why Primo developed the new **Eco Softline** gaskets. Because of their excellent properties, modern thermoplastic elastomers (TPE) have replaced vulcanised rubber (EPDM) and are always used where the highest quality is required.

The key feature of the gaskets are the 4 material components used. This is the only way to meet the highest demands.



EXCELLENT PROPERTIES



As low as -40°C minimum temperature



Wide range of colours



Excellent compression set



High levels of UV- and weather resistance



100% recyclable



Made entirely of TPE

ONE GASKET- 4 COMPONENTS!

The Eco Softline profiles consist of 4 components, which are able to master these particular challenges and consist of the following:

1. TPV - Anti-friction coating
2. TPE-S - Foam
3. TPE - Rigid profile
4. Integrated thread

The Eco Softline profiles are just the thing for your windows and doors. As well as excellent sealing properties, the profiles also offer high levels of UV- and weather resistance.

Even temperatures as low as -40°C are no problem for our profiles.

Find out more about the Eco Softline gaskets at www.primo.com

PRIMO ECO SOFTLINE

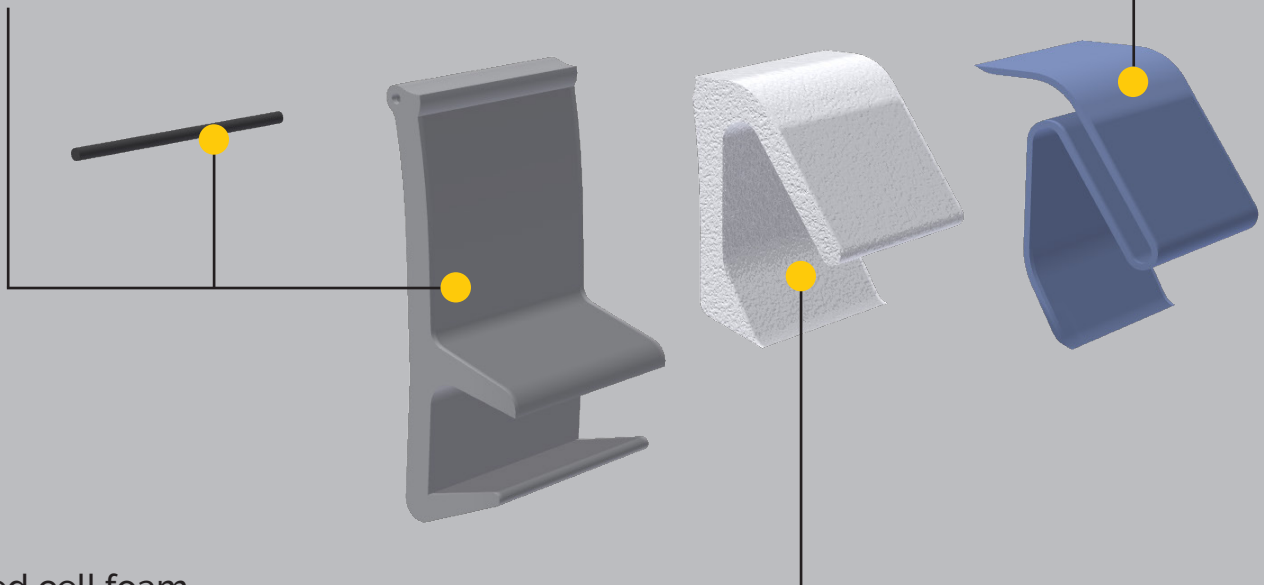
THE PROFILE STRUCTURE

Anti-friction coating (TKS 52° Shore D)

The outer anti-friction coating consists of a very high quality TPV material. It has good physical and thermal properties. It is resistant to ageing and weather. It is also ozone and UV-resistant. The material is PVC-free, weldable and has no plasticiser migration. The material has excellent anti-friction properties. This ensures that the gasket has a comfortable closing pressure. Windows or doors can be closed very easily. The profile can be easily cleaned with mild cleaning agents.

Rigid profile foot (AC 93° Shore A)

The profile foot is made of a TPE material and ensures that the gasket can be easily installed. At the same time, the rigid material prevents major deformation, which means the profile offers excellent stability. The profile has an integrated thread and this ensures that the gasket can not overstretch, for example with a mechanical feed. We thereby achieve a stable corner connection for latched gaskets and can achieve optimal sealing and insulation levels.



Closed cell foam

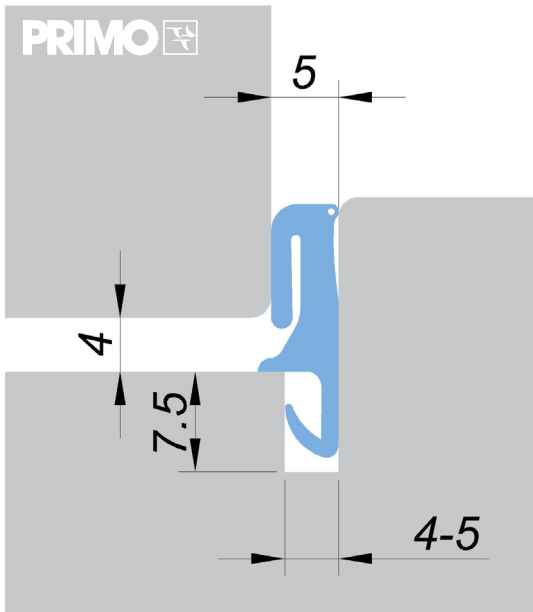
Our foam material is a high-quality, closed-cell TPE-S material.

The foam is used in the functional area of the gasket. The foam material ensures that the gasket has a comfortable, soft closing pressure. The material also offers excellent resilience. This also allows a high tolerance compensation to be achieved.

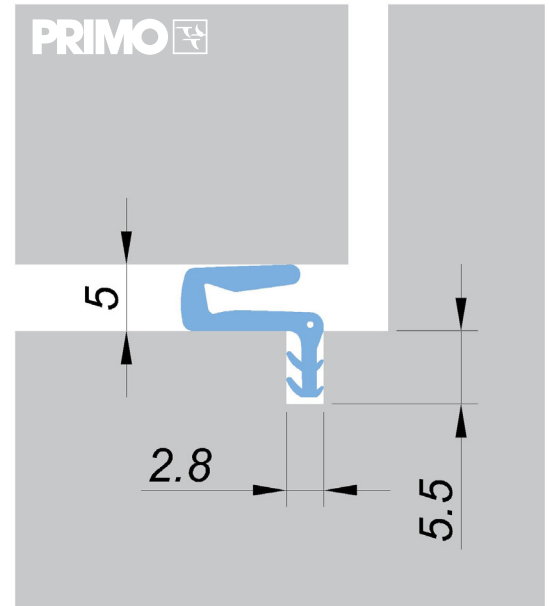
The material has the advantage that the foam is closed-celled and therefore it is not possible for water to get in from the outside. This prevents the gasket from freezing. Windows and doors can still be opened and closed without any problems. Thanks to the encapsulated microbubbles, the foam is durable. It remains functional for many years, even when scratched.

PRIMO ECO SOFTLINE

TECHNICAL SPECIFICATIONS



ASF 6390 H - SASH REBATE GASKET



ASF 6376 H - FRAME GASKET

TKS (TPV) = Thermoplastic vulcanisate

Hardness	ASTM D2240	Shore D	52
Colour	RAL		As required
Density	ASTM D792	g/cm ³	0.95
Tensile strength	ASTM D412-C	MPa	23
Breaking elongation	ASTM D412-C	%	750
Tear propagation resistance	ASTM D624-C	kN/m	95
Module 100%	ASTM D412-C	MPa	11

AC 93° - Thermoplastic elastomer (TPE)

Hardness	DIN 53505 ISO 868	Shore A	93 ± 5
Colour	RAL		Natural
Density	DIN EN ISO 1183-1	g/cm ³	1.14
Tear resistance	DIN 53504 Standard bar S 2	N/mm ²	14
Elongation at break	DIN 53504 Standard bar S 2	%	520
Tension at 100% elongation	DIN 53504 Standard bar S 2	N/mm ²	6.4

Your advantages

- Non-ageing ✓
- Ozone-resistant ✓
- UV-resistant ✓
- Weatherproof ✓
- Free from plasticisers ✓
- PVC free ✓
- Weldable ✓
- Colour of your choice ✓
- As low as -40° minimum temperature ✓
- 100% recyclable ✓
- No absorption of water ✓
- Easy to clean ✓

WWW.PRIMO.COM



THE PRIMO GROUP

PRIMO DESIGNS AND MANUFACTURES THE PROFILES OF TOMORROW TO OPTIMISE PERFORMANCE AND SAVE RESOURCES.



CHINA

PROFILEX Plastic Technology
(Zhuhai FTZ) Co. Ltd.
No. 41, Hongwan Free Trade Zone
Zhuhai, Guangdong, CHN 519030
sales@profilex.cn
www.profilex.cn

DENMARK

PRIMO DANMARK A/S
Jernbanegade 11
DK-6862 Tistrup
primo@primo.dk

FINLAND

OY PRIMO FINLAND AB
Tarhaajantie 2
FI-65380 Vaasa
primo.finland@primo.fi

GERMANY

PRIMO PROFILE GmbH
Otto-Porath-Platz 1
D-15831 Blankenfelde-Mahlow
info@primo-profile.de
Berlin/Hamburg

NETHERLANDS

Primo Netherlands B.V.
Enitor Primo
Beatrixstraat 7
NL-9285 TV Buitenpost
infoenitor@primo.com

NORWAY

PRIMO NORGE AS
P.O.Box 2096
N-3255 Larvik
post@primo.no

POLAND

PRIMO PROFILE sp.zo.o.
UL Chemiczna 2
PL 44-240 Żory
primoprofile@primo.com

SWEDEN

PRIMO SVERIGE AB
Box 4073
SE-514 12 Limmared
info@primo.se
Dalstorp/Limmared

PARENT COMPANY

INTER PRIMO A/S

Højbro Plads 6
DK-1200 København K
Denmark

www.primo.com

YOUR GASKET CONTACT

PRIMO PROFILE GmbH Werk Hamburg

Ostmoorweg 36-40
D-21614 Buxtehude
info@primo-profile.de
+49 (0) 4161 70 461 0

PRIMO 